

Letter plate 4371 and 4373

FOR INTERIOR DOORS

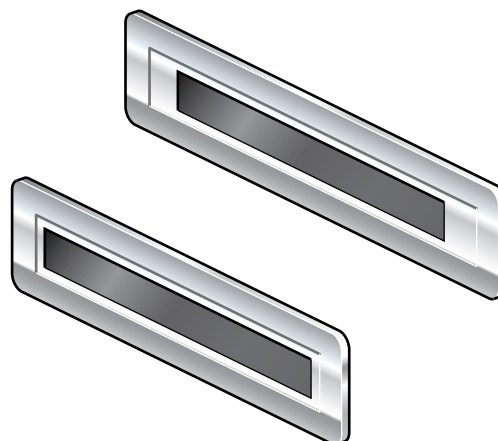
Door thickness range:

-60 mm

Nickel
plated



- This letter plate is adjusted for interior doors.
- Available in nickel plated brass.
- Easy to install and is not adjusted for any special door thickness.
- A back plate adjusted for this letter plate is also available for purchase.

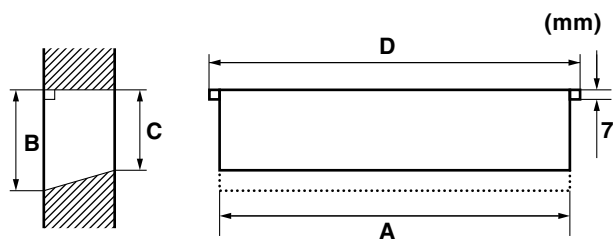


Part number

Height (mm)	85	80
Width (mm)	240	270
Surface finish	Nickel plated	Nickel plated
Part no.	4371	4373

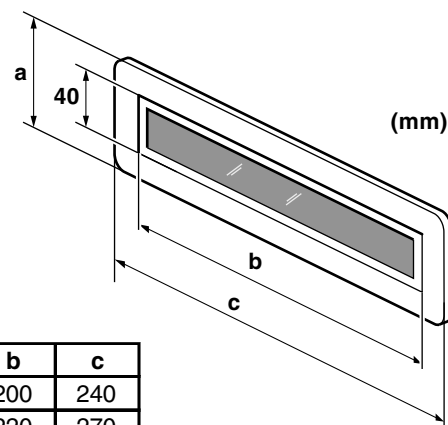
Back plate part no.	4303	4313
---------------------	------	------

Cut out drawing



Part no.	A	B	C	D
4371	220	70	60	240
4373	242	70	60	280

Measurements



Part no.	a	b	c
4371	85	200	240
4373	80	220	270

MENOVA

P.O. Box 92, SE-631 02 Eskilstuna, SWEDEN
 Int. Tel: +46 16 13 75 05, Int. Fax: +46 16 51 18 03
 E-mail: mail@menova.se

MENOVA
 www.menova.se



For more information of MENOVA quality products, please contact us.

MENOVA

P.O. Box 92, SE-631 02 Eskilstuna, SWEDEN

Int. Tel: +46 16 13 75 05,

Int. Fax: +46 16 51 18 03

E-mail: mail@menova.se

www.menova.se

