

Letter plate 4302 and 4312

FOR INTERIOR DOORS

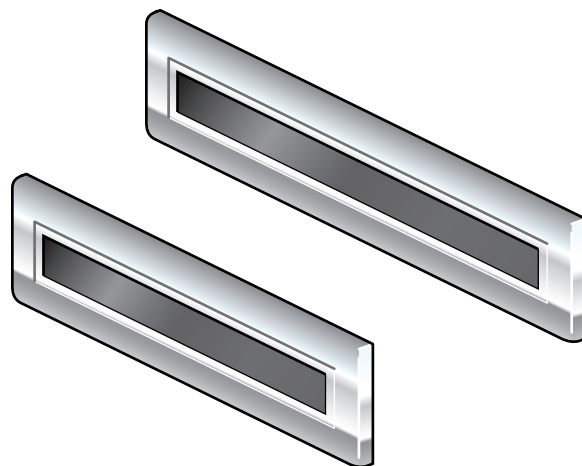
Door thickness range:

-60 mm

Nickel
plated



- This letter plate is easy and adjusted for interior doors.
- The letter plate is available in nickel plated brass.
- The letter plate is delivered with front plate. Back plate is also available for purchase.
- The letter plate is easy to install and is not adjusted for any special door thickness.

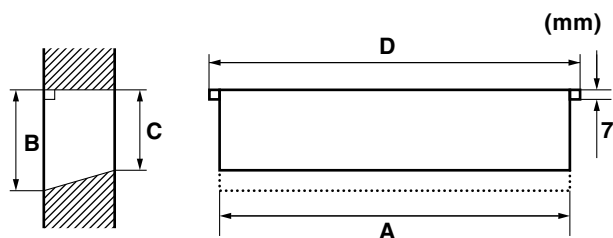


Part number

Width (mm)	235	275
Surface finish	Nickel plated	Nickel plated
Part no.	4302	4312

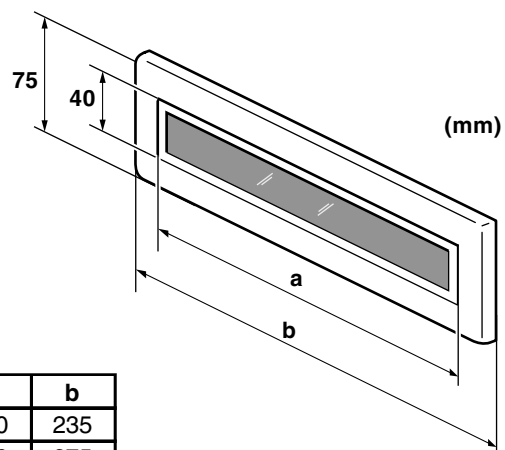
Back plate part no.	4303	4313
---------------------	------	------

Cut out drawing



Part no.	A	B	C	D
4302	220	75	60	240
4312	262	75	60	280

Measurements



Part no.	a	b
4302	200	235
4312	240	275

MENOVA

P.O. Box 92, SE-631 02 Eskilstuna, SWEDEN
 Int. Tel: +46 16 13 75 05, Int. Fax: +46 16 51 18 03
 E-mail: mail@menova.se

MENOVA
 www.menova.se



For more information of MENOVA quality products, please contact us.

MENOVA

P.O. Box 92, SE-631 02 Eskilstuna, SWEDEN

Int. Tel: +46 16 13 75 05,

Int. Fax: +46 16 51 18 03

E-mail: mail@menova.se

www.menova.se

