

Letter plate no. 11 and 11P

FOR EXTERIOR DOORS

Door thickness range:
40–75 mm

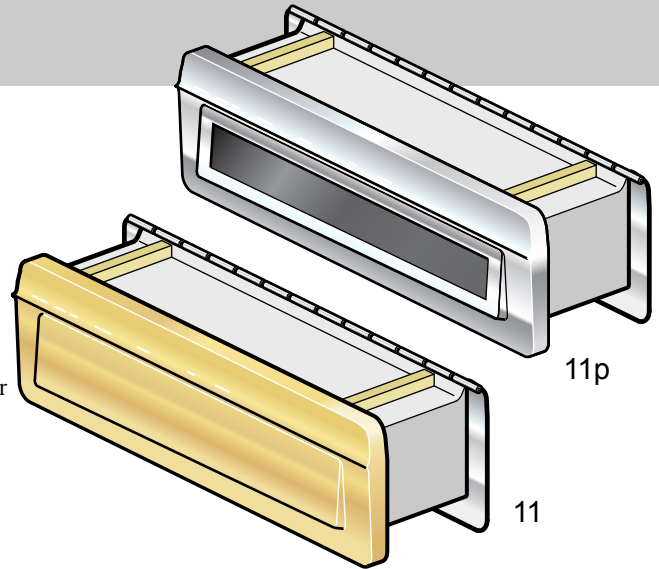
Nickel
plated



Fogged
brass



- The upper edge of the letter plate is designed with a drip edge that prevents water leakage.
- The letter plate is manufactured in die-cast brass with adjustable fire protection plate in galvanised iron sheet.
- Delivered with screws and back plate. Note that the back plate is not for sale separately.
- The surface finishes available are nickel-plated and fogged brass.
- There is a sealing device and a sound-reducing strip of soft rubber between the back plate and the door leaf.
- Available either with front plate or letter bar.



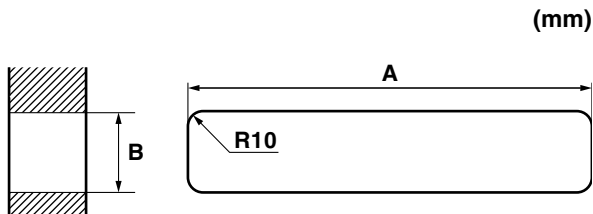
Part number

Without letter bar				
Door thickness	40-59		60-75	
Surface finish	NP	Fogged	NP	Fogged
Part no.	4381	4383	4382	4384

With letter bar				
Door thickness	40-59		60-75	
Surface finish	NP	Fogged	NP	Fogged
Part no.	4391	4393	4392	4394

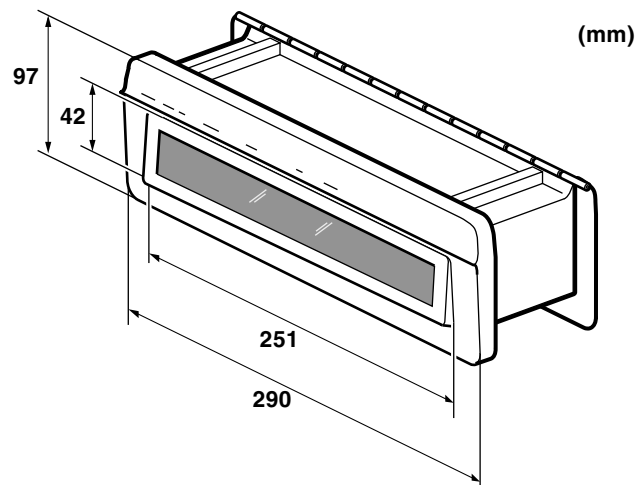
NP=Nickel plated, Fogged=Fogged brass

Cut out drawing



Part no.	A	B
4381-4386	275	78
4391-4396	275	78

Measurements





For more information of MENOVA quality products, please contact us.

MENOVA

P.O. Box 92, SE-631 02 Eskilstuna, SWEDEN

Int. Tel: +46 16 13 75 05,

Int. Fax: +46 16 51 18 03

E-mail: mail@menova.se

www.menova.se

