

Letter plate 4ESS

FOR INTERIOR DOORS

Door thickness range:
40–84 mm

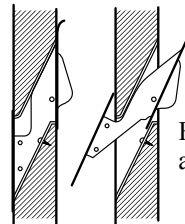
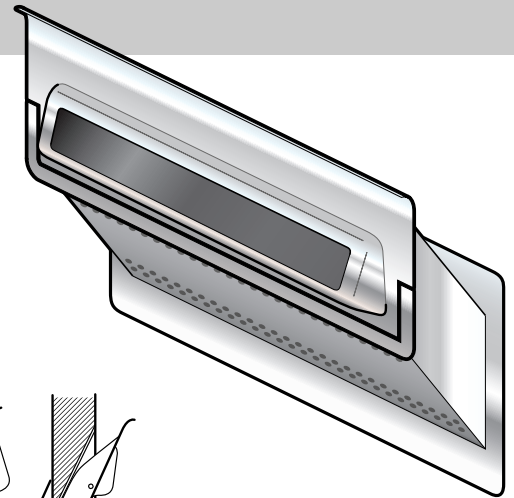
Nickel plated



Gold plated



- 4 ESS is a letter plate for interior doors approved by Boverket (standard approval certificate no. 4936/91). The manufacturing process is under supervision of the Swedish research laboratory.
- 4 ESS is a letter plate made of steel for wooden doors between 40–85 mm and for steel doors between 45–85 mm.
- The letter plate is delivered with fire protection plate, back plate and securing plate.
- 4 ESS fulfils both fire resisting class (E130) and noise resisting class (35 db) according to Swedish standard.
- The surface finishes available are nickel plated, gold epoxy or gold plated.
- The back plate can be delivered with interdens (fire swelling) or velour.



Front and back plate are connected.

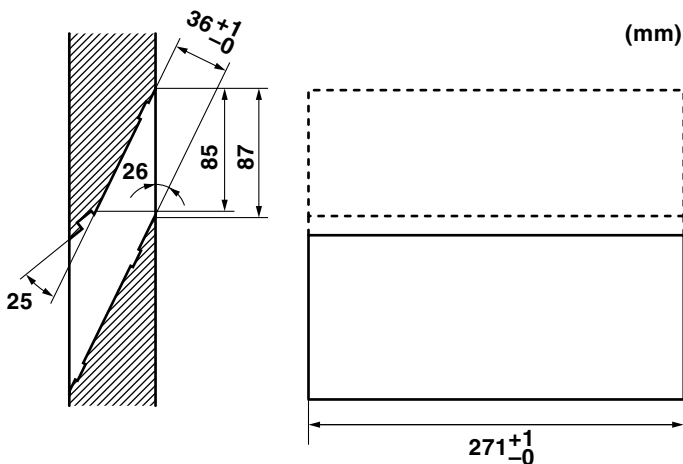
Part number

Door thickness (mm)	40-44		45-49		50-54	
Surface finish	NP	GP	NP	GP	NP	GP
Part no.	4640	4684	4645	4685	4650	4686

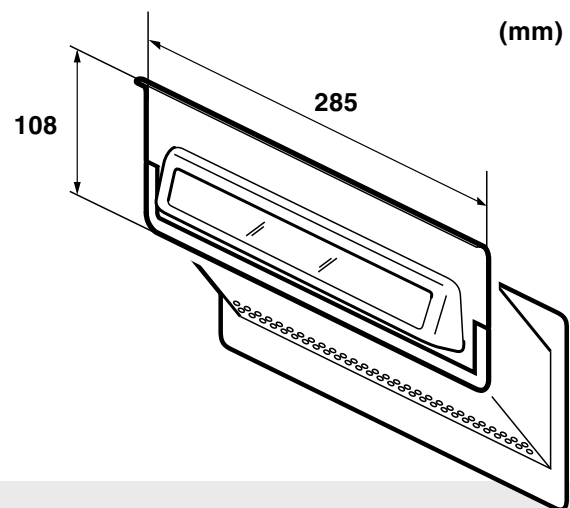
Door thickness (mm)	55-59		60-64		65-69	70-74	75-79	80-84
Surface finish	NP	GP	NP	GP	NP	NP	NP	NP
Part no.	4655	4687	4660	4688	4665	4670	4675	4680

NP= Nickel plated, GP = Gold plated

Cut out drawing



Measurements





For more information of MENOVA quality products, please contact us.

MENOVA

P.O. Box 92, SE-631 02 Eskilstuna, SWEDEN

Int. Tel: +46 16 13 75 05,

Int. Fax: +46 16 51 18 03

E-mail: mail@menova.se

www.menova.se

