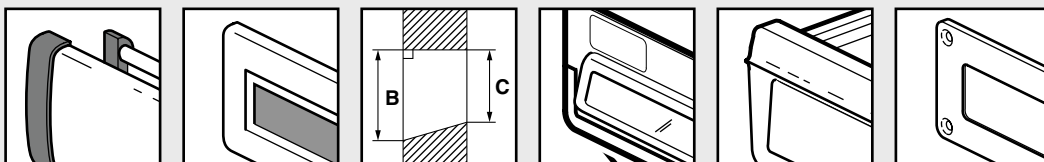
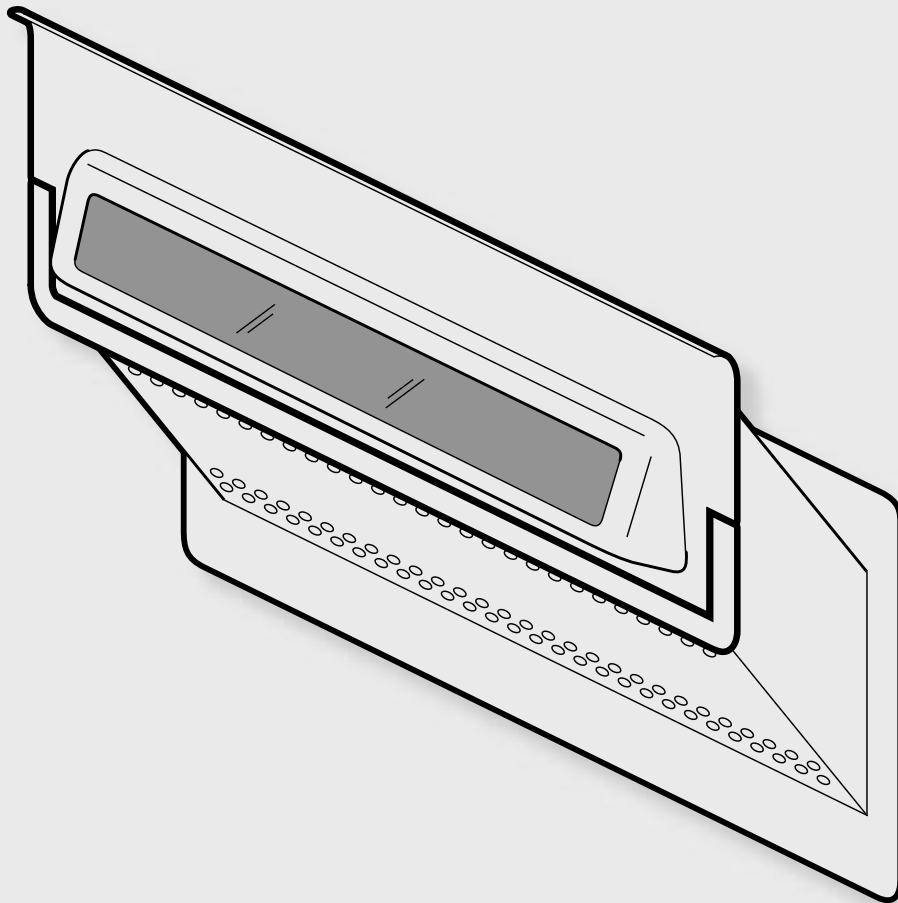


## LETTER PLATES





# TERMS

**Terms of payment** New customer: payment in advance  
Established customer: 30 days net

**Interest on overdue payment** 18% per commenced month

**Standard pack** Illustrated in this brochure

**Packaging** Charged at cost price

**Mode of transportation** Menova will assess and select the mode of transportation unless the customer has specifically requested another method

**Terms of delivery** Free Carrier Eskilstuna, Sweden.

**Guarantee** All products manufactured by Menova have a three year guarantee, which means that products are replaced free of charge if they have manufacture or material defects.

Menova is not responsible for any incidental costs arising in connection with the replacement of defective products. These are to be returned for inspection.

The guarantee does not cover products that have been exposed to violence, incorrect installation or that have had their functionality altered.

**Miscellaneous** A handling charge of EUR 10 applies for orders less than EUR 50 net.

No refund given for goods with opened packaging.

## Letter plate 2003

**FOR RAINPROOF INTERIOR AND EXTERIOR DOORS.**

**Door thickness range:**

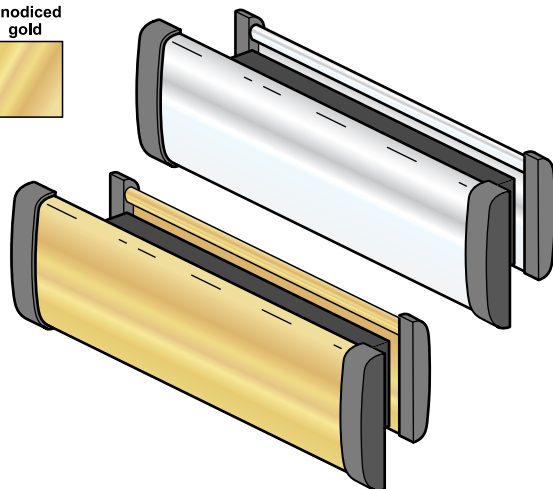
Adjustable

- This letter plate is suitable for both interior and exterior doors.
- Easy to cut out and install.
- This letter plate is manufactured in plastic and the surface finishes available are anodized aluminum or anodized gold.
- The elegant design makes this letter plate suitable for more exclusive settings.
- The screws are hidden and the materials are combined in a new and modern way.
- Can be adjusted for different door thickness.

Anodized  
aluminum



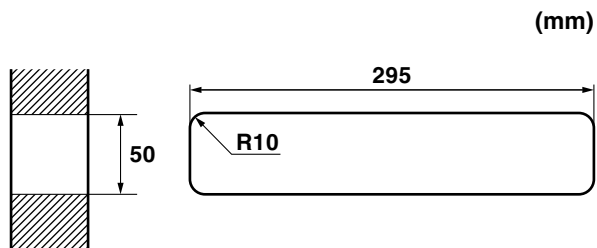
Anodized  
gold



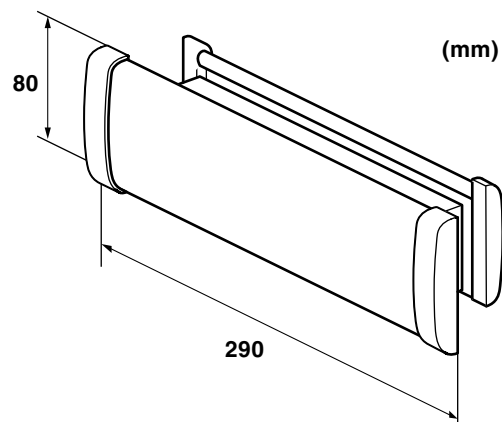
### Part number

Surface finish	anodiced alumnium	anodiced gold
Part no.	4250	4251

### Cut out drawing



### Measurements



**MENOVA**

P.O. Box 92, SE-631 02 Eskilstuna, SWEDEN

Int. Tel: +46 16 13 75 05, Int. Fax: +46 16 51 18 03

E-mail: mail@menova.se

**MENOVA**  
www.menova.se

# Letter plate 4ESS

## FOR INTERIOR DOORS

**Door thickness range:**  
40–84 mm

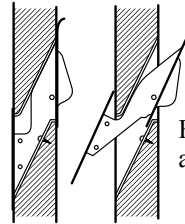
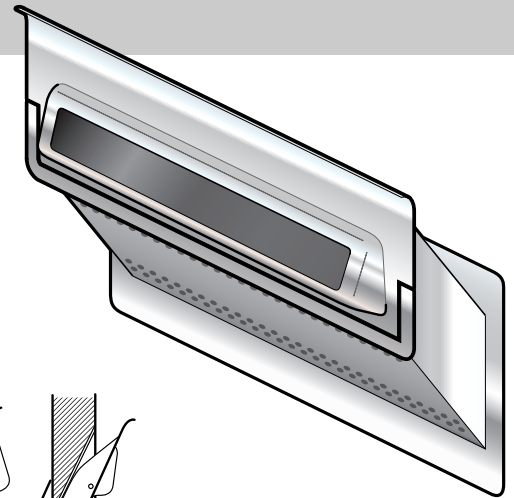
Nickel plated



Gold plated



- 4 ESS is a letter plate for interior doors approved by Boverket (standard approval certificate no. 4936/91). The manufacturing process is under supervision of the Swedish research laboratory.
- 4 ESS is a letter plate made of steel for wooden doors between 40–85 mm and for steel doors between 45–85 mm.
- The letter plate is delivered with fire protection plate, back plate and securing plate.
- 4 ESS fulfils both fire resisting class (E130) and noise resisting class (35 db) according to Swedish standard.
- The surface finishes available are nickel plated, gold epoxy or gold plated.
- The back plate can be delivered with interdens (fire swelling) or velour.



Front and back plate are connected.

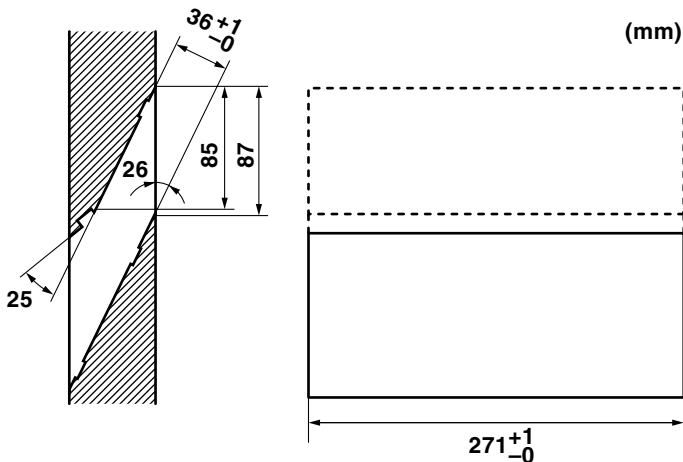
## Part number

Door thickness (mm)	40-44		45-49		50-54	
Surface finish	NP	GP	NP	GP	NP	GP
<b>Part no.</b>	<b>4640</b>	<b>4684</b>	<b>4645</b>	<b>4685</b>	<b>4650</b>	<b>4686</b>

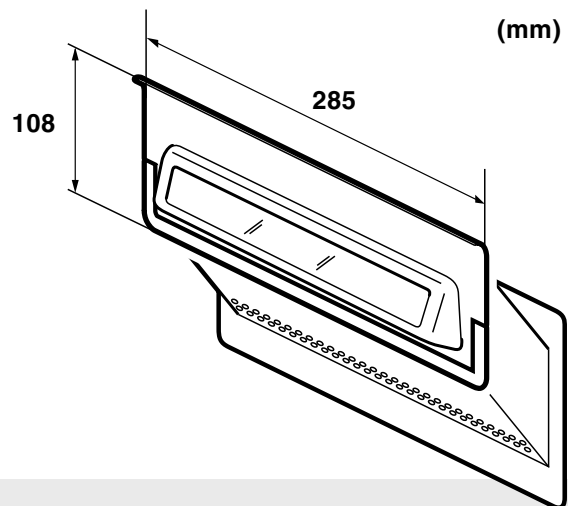
Door thickness (mm)	55-59		60-64		65-69	70-74	75-79	80-84
Surface finish	NP	GP	NP	GP	NP	NP	NP	NP
<b>Part no.</b>	<b>4655</b>	<b>4687</b>	<b>4660</b>	<b>4688</b>	<b>4665</b>	<b>4670</b>	<b>4675</b>	<b>4680</b>

NP= Nickel plated, GP = Gold plated

## Cut out drawing



## Measurements



# Letter plate no. 11 and 11P

## FOR EXTERIOR DOORS

Door thickness range:  
40–75 mm

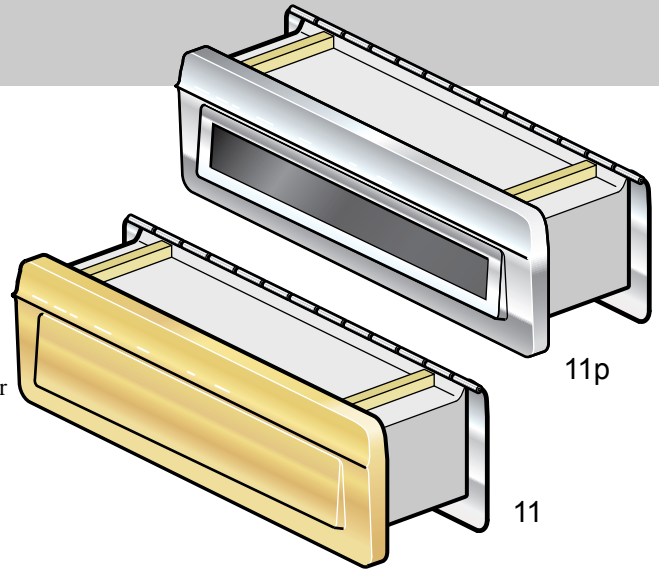
Nickel  
plated



Fogged  
brass



- The upper edge of the letter plate is designed with a drip edge that prevents water leakage.
- The letter plate is manufactured in die-cast brass with adjustable fire protection plate in galvanised iron sheet.
- Delivered with screws and back plate. Note that the back plate is not for sale separately.
- The surface finishes available are nickel-plated and fogged brass.
- There is a sealing device and a sound-reducing strip of soft rubber between the back plate and the door leaf.
- Available either with front plate or letter bar.



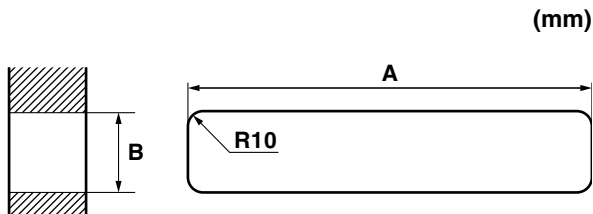
## Part number

Without letter bar				
Door thickness	40-59		60-75	
Surface finish	NP	Fogged	NP	Fogged
<b>Part no.</b>	<b>4381</b>	<b>4383</b>	<b>4382</b>	<b>4384</b>

With letter bar				
Door thickness	40-59		60-75	
Surface finish	NP	Fogged	NP	Fogged
<b>Part no.</b>	<b>4391</b>	<b>4393</b>	<b>4392</b>	<b>4394</b>

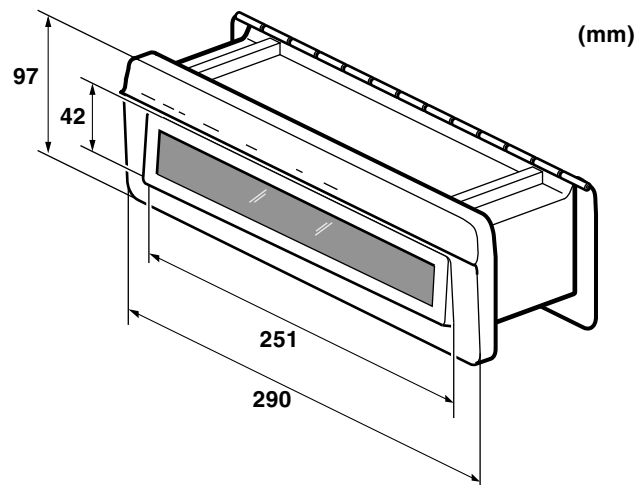
NP=Nickel plated, Fogged=Fogged brass

## Cut out drawing



Part no.	A	B
4381-4386	275	78
4391-4396	275	78

## Measurements



## Letter plate 4231 and 4241

### FOR EXTERIOR AND RAINPROOF DOORS

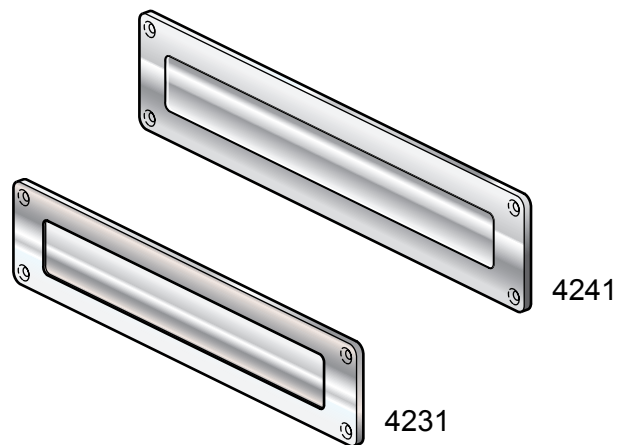
#### Door thickness range:

-60 mm

Stainless  
steel



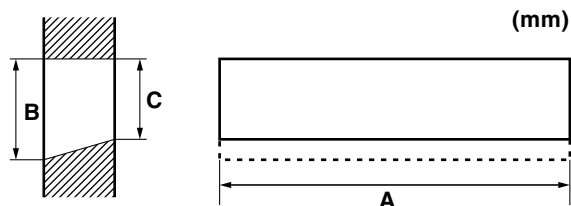
- This letter plate is adjusted for rainproof exterior doors.
- The letter plate is easily managed and installed.
- The letter plate is delivered without back plate. However back plates can be purchased separately.



### Part number

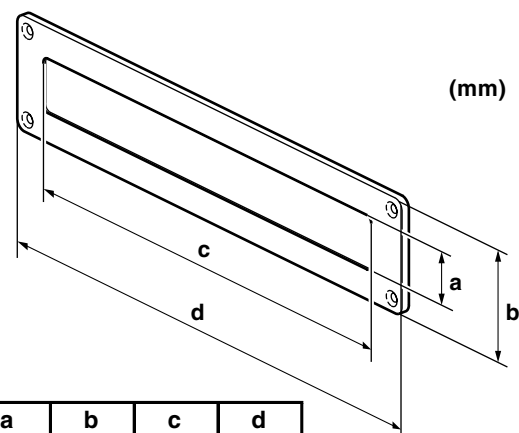
Height (mm)	70	90
Width (mm)	275	320
Surface finish	Stainless steel	Stainless steel
Part no.	<b>4231</b>	<b>4241</b>

### Cut out drawing



Part no.	A	B	C
4231	245	65	50
4241	275	75	60

### Measurements



Part no.	a	b	c	d
4231	35	70	230	275
4241	45	90	260	320

#### MENOVA

P.O. Box 92, SE-631 02 Eskilstuna, SWEDEN  
 Int. Tel: +46 16 13 75 05, Int. Fax: +46 16 51 18 03  
 E-mail: mail@menova.se

**MENOVA**  
 www.menova.se

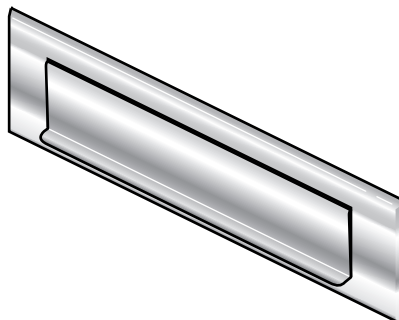
## Letter plate 4308

### FOR EXTERIOR AND RAINPROOF DOORS

#### Door thickness range:

-60 mm

- This letter plate is adjusted for exterior rainproof doors.
- The construction of the letter plate counteracts penetration of water. The plate can be opened upwards and has a drip edge which helps to prevent water from entering.
- The letter plate is available in nickel plated brass surface, but can if requested also be delivered in fogged brass.
- Adjusted back plates are available for purchase.



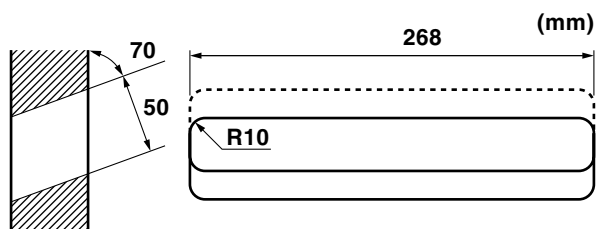
## MENOVA

- Complete series of letter plates for both interior and exterior doors.
- Installation instructions for all products.
- Spare parts are available for all letter plates.

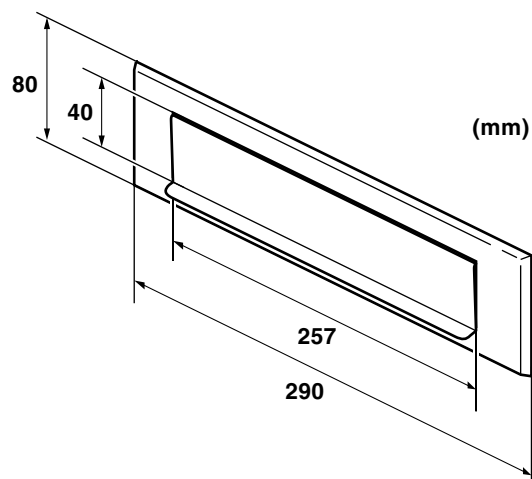
## Part number

Surface finish	Nickel plated
Part no.	4308

## Cut out drawing



## Measurements





## Letter plate 4302 and 4312

### FOR INTERIOR DOORS

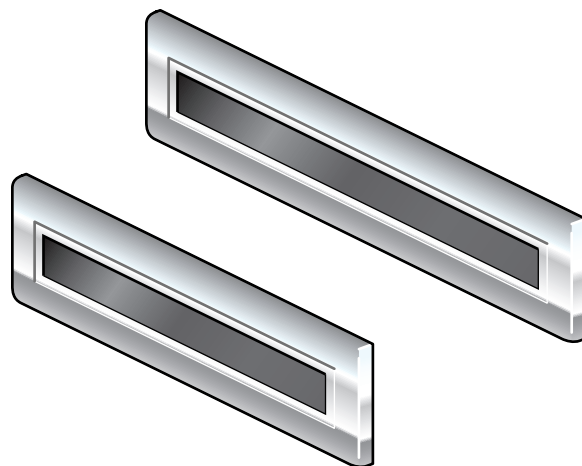
#### Door thickness range:

-60 mm

Nickel  
plated



- This letter plate is easy and adjusted for interior doors.
- The letter plate is available in nickel plated brass.
- The letter plate is delivered with front plate. Back plate is also available for purchase.
- The letter plate is easy to install and is not adjusted for any special door thickness.

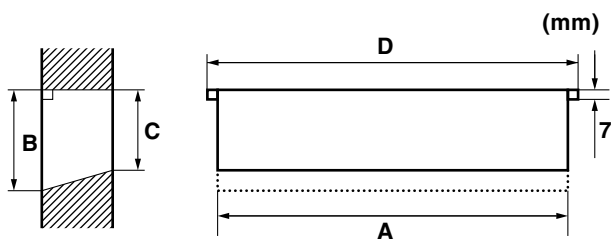


### Part number

Width (mm)	235	275
Surface finish	Nickel plated	Nickel plated
Part no.	4302	4312

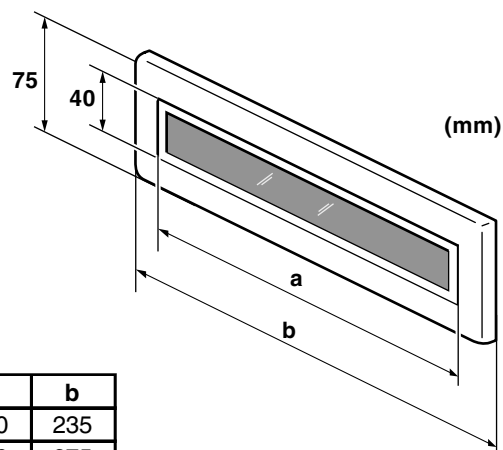
Back plate part no.	4303	4313
---------------------	------	------

### Cut out drawing



Part no.	A	B	C	D
4302	220	75	60	240
4312	262	75	60	280

### Measurements



Part no.	a	b
4302	200	235
4312	240	275

#### MENOVA

P.O. Box 92, SE-631 02 Eskilstuna, SWEDEN  
 Int. Tel: +46 16 13 75 05, Int. Fax: +46 16 51 18 03  
 E-mail: mail@menova.se

**MENOVA**  
 www.menova.se

## Letter plate 4371 and 4373

### FOR INTERIOR DOORS

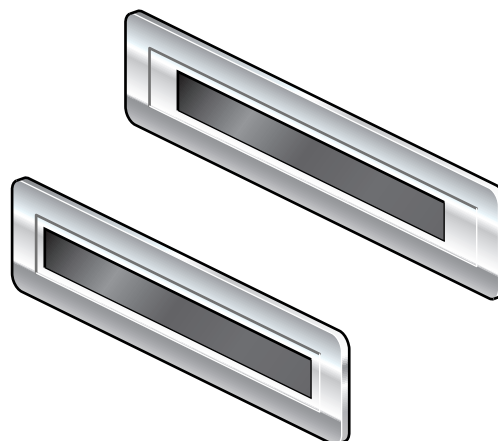
#### Door thickness range:

-60 mm

Nickel  
plated



- This letter plate is adjusted for interior doors.
- Available in nickel plated brass.
- Easy to install and is not adjusted for any special door thickness.
- A back plate adjusted for this letter plate is also available for purchase.

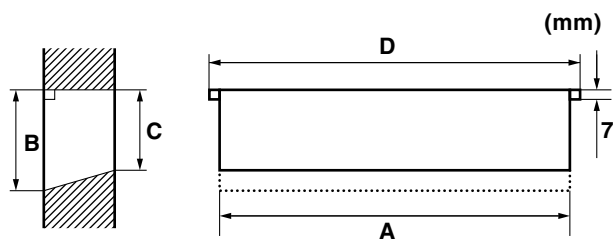


### Part number

Height (mm)	85	80
Width (mm)	240	270
Surface finish	Nickel plated	Nickel plated
<b>Part no.</b>	<b>4371</b>	<b>4373</b>

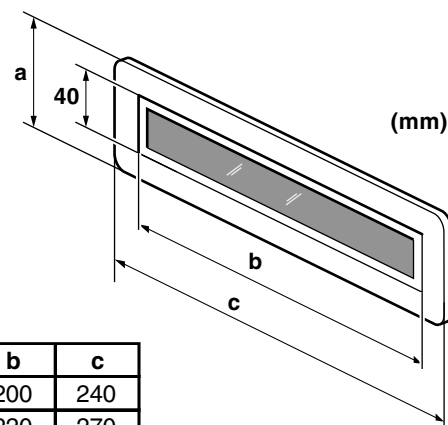
Back plate part no.	4303	4313
---------------------	------	------

### Cut out drawing



Part no.	A	B	C	D
4371	220	70	60	240
4373	242	70	60	280

### Measurements



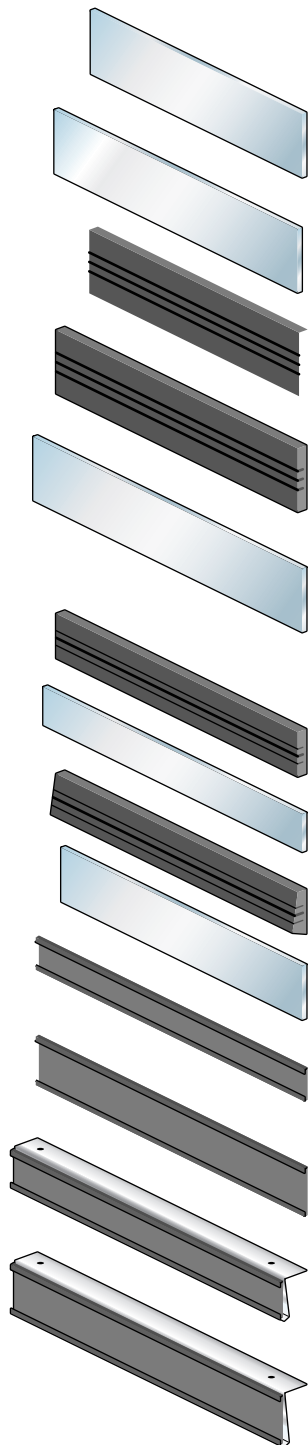
Part no.	a	b	c
4371	85	200	240
4373	80	220	270

#### MENOVA

P.O. Box 92, SE-631 02 Eskilstuna, SWEDEN  
 Int. Tel: +46 16 13 75 05, Int. Fax: +46 16 51 18 03  
 E-mail: mail@menova.se

**MENOVA**  
 www.menova.se

## ACCESSORIES



Part. No.	Description
4202	Glass no. 2, 7001 204x42x2 mm
4203	Glass 7003 225x42x2 mm
4304	Plate no. 2, 7001 7003 203x42x9 mm
4314	Plate arrow no. 12 224x42x9 mm
4315	Glass no. 12 242x42x2 mm
4388	Screws 11P, 35 mm
4389	Screws 11P, 55 mm
4398	Plate 11P
4399	Glass 11P
4904	Plate 4ESS
4905	Glass 4ESS
4963	Letter bar 13 mm ribbon marker Suitable for all letter plates
4964	Letter bar 19 mm marker ribbon Suitable for all letter plates
4965	Steel plate with 13 mm marker ribbon, For letter plates 4640–4680
4966	Steel plate with 19 mm marker ribbon For letter plates 4640–4680



For more information of MENOVA quality products, please contact us.

**MENOVA**

P.O. Box 92, SE-631 02 Eskilstuna, SWEDEN

**Int. Tel:** +46 16 13 75 05,

**Int. Fax:** +46 16 51 18 03

**E-mail:** mail@menova.se

[www.menova.se](http://www.menova.se)

